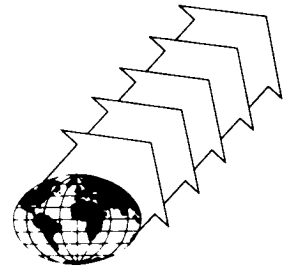


# Technical Bulletin



**TOMORROW'S  
MANUFACTURING  
LEADERSHIP  
TODAY**

Bulletin Number: 468 Revision Number: R-00

Release Date: March 1, 1993 Revision Date: \_\_\_\_\_

**SUBJECT: LIGHT HARNESS/PLUG-IN BALLAST HARNESS CABLE CLAMP**

**MODELS: ALL 36" WIDE VENDERS WITH FULL LENGTH LEXAN SIGNS**

**SERIAL NUMBER BREAK: Vender Models Serialized 0001-6070BQ to  
0001-6116AR**

**REASON : To provide instructions on installation of a 9/16"  
Cable Clamp which will ensure the Lighting Harness will  
not disconnect from the Plug-In Ballast if the main door  
is opened beyond normal limits.**

**INDEX: For 7-UP B7 Venders, See Pages 1, 4 and 5.**

**For Venders with a Buck/Boost Transformer, See Pages 1, 6  
and 7.**

**For All Venders, Except 7-UP B7 and Venders with the Buck  
Boost Transformer, See Pages 1, 2 and 3.**

**PARTS NEEDED FOR 36" WIDE 7-UP B7 VENDERS AND VENDERS WITH A BUCK  
BOOST TRANSFORMER:**

- 1 - 804,906,710.01 Light Harness Extension
- 1 - 900,902,270.01 9/16" Cable Clamp #3379
- 1 - 900,301,650.01 Screw, Phil Pan with Washer #8 - 18 X 1/2
- 2 - 901,902,010.01 Cable Tie, 7-1/2"

**PARTS NEEDED FOR ALL 36" WIDE VENDERS, EXCEPT 7-UP B7 and VENDERS  
WITH BUCK/BOOST TRANSFORMER:**

- 1 - 900,902,270.01 9/16" Cable Clamp #3379
- 1 - 900,301,650.01 Screw, Phil Pan with Washer #8 - 18 X 1/2
- 2 - 901,902,010.01 Cable Tie, 7-1/2"

**ALL 36" WIDE VENDERS  
EXCEPT 7-UP B7 AND VENDERS WITH BUCK/BOOST TRANSFORMER**

**Installation Instructions:**

1. UNPLUG THE VENDER.
2. Locate the Lighting Harness running from the main door to the ballast area. See Area "X" Figure 1 on page 3.
3. Remove the cable ties that secure the lighting harness to the main harness. See "B" Figures 1 and 2 on page 3.
4. Remove the 1" cable clamp and screw that secures the harnesses to the main door. See "A" Figures 1 and 2 on page 3.
5. Secure the Light Harness Wires to the Ballast Plate, with a 9/16" Cable Clamp and a #8 - 18 X 1/2 Phil Pan Screw with Washer, in the center hole provided on the ballast plate. See "C" in Figures 1 and 2 on page 3.

**IMPORTANT: ENSURE THE 9/16" CABLE CLAMP IS SECURED AROUND  
THE TUBING PROTECTING THE LIGHT HARNESS WIRES.**

6. Open the main door as far as it will go.
7. Secure the harness to the main door, with the 1" Cable Clamp and screw removed in step 4.
8. Secure the lighting harness to the main harness with two 7-1/2" cable ties. See "B" Figures 1 and 2 on page 3.
9. Close and open the door to ensure there is enough harness that, when the main door is fully opened, the harnesses are not strained or pulled apart at the mate-n-lok plug and cap.
10. Plug in the Vender and test for proper operation.

ALL 36" WIDE VENDERS  
EXCEPT 7-UP B7 AND VENDERS WITH BUCK/BOOST TRANSFORMER

FIGURE 1

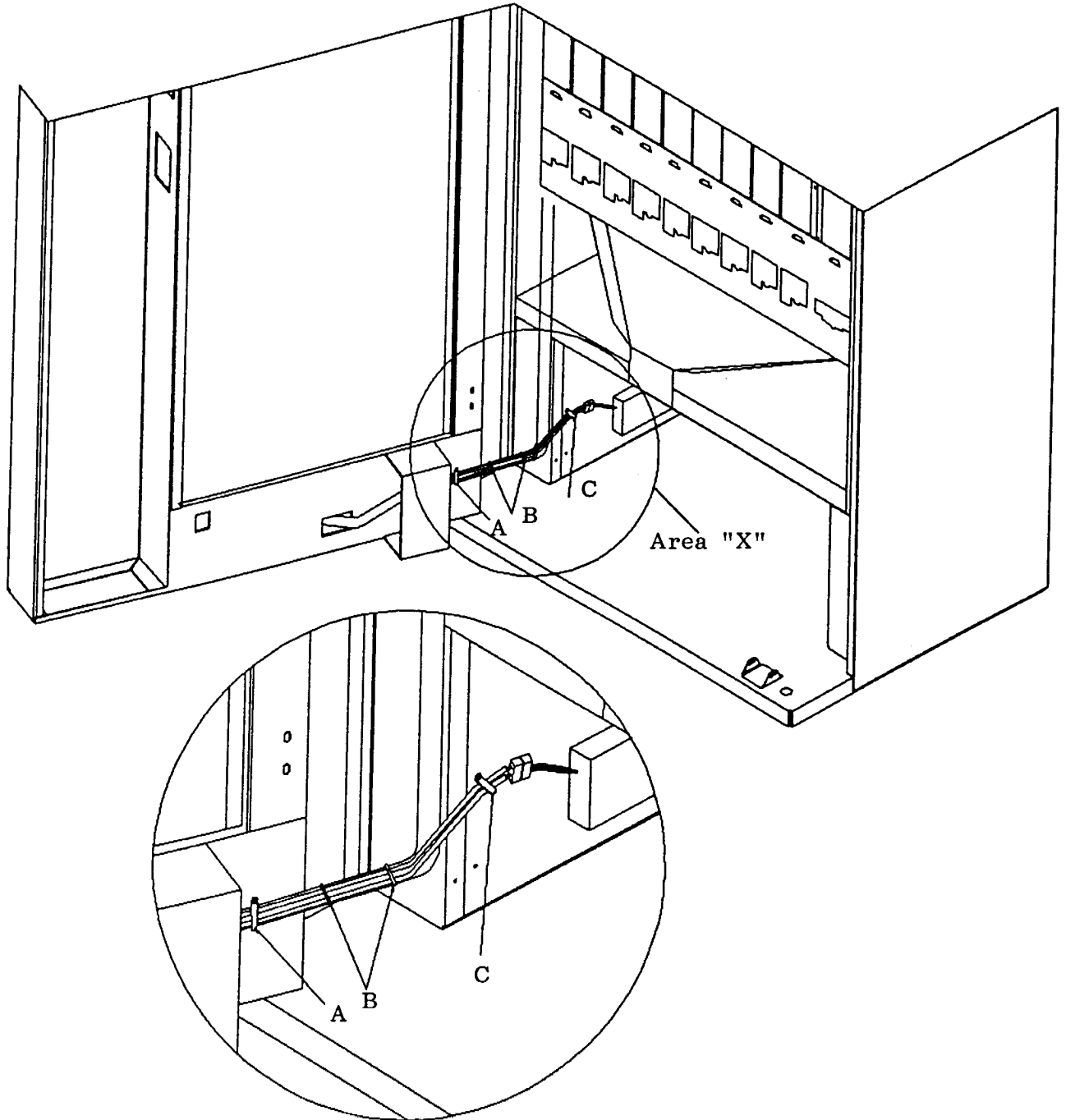


FIGURE 2

ALL 36" WIDE 7-UP B7 VENDERS

Installation Instructions:

1. UNPLUG THE VENDER.
2. Locate the Lighting Harness running from the main door to the ballast area. See Area "Y" Figure 3 on page 5.
3. Remove the cable ties that secure the lighting harness to the main harness. See "B" Figures 3 and 4 on page 5.
4. Remove the 1" cable clamp and screw that secures the harnesses to the main door. See "A" Figures 3 and 4 on page 5.
5. Unplug the light harness from the ballast.
6. Install the Light Harness Extension. See "D" Figures 3 and 4 on page 5.
7. Secure the Light Harness Extension to the Ballast Plate, with a 9/16" Cable Clamp and a #8 - 18 X 1/2 Phil Pan Screw with Washer, in the center hole provided on the ballast plate. See "C" in Figures 3 and 4 on page 5.  

IMPORTANT: ENSURE THE 9/16" CABLE CLAMP IS SECURED AROUND THE TUBING PROTECTING THE LIGHT HARNESS EXTENSION WIRES.
8. Open the main door as far as it will go.
9. Secure the harness to the main door, with the 1" Cable Clamp and screw removed in step 4.
10. Secure the lighting harness to the main harness with two 7-1/2" cable ties. See "B" Figures 3 and 4 on page 5.
11. Close and open the door to ensure there is enough harness that, when the main door is fully opened, the harnesses are not strained or pulled apart at the mate-n-lok plug and cap.
12. Plug in the Vender and test for proper operation.

ALL 36" WIDE 7-UP B7 VENDERS

FIGURE 3

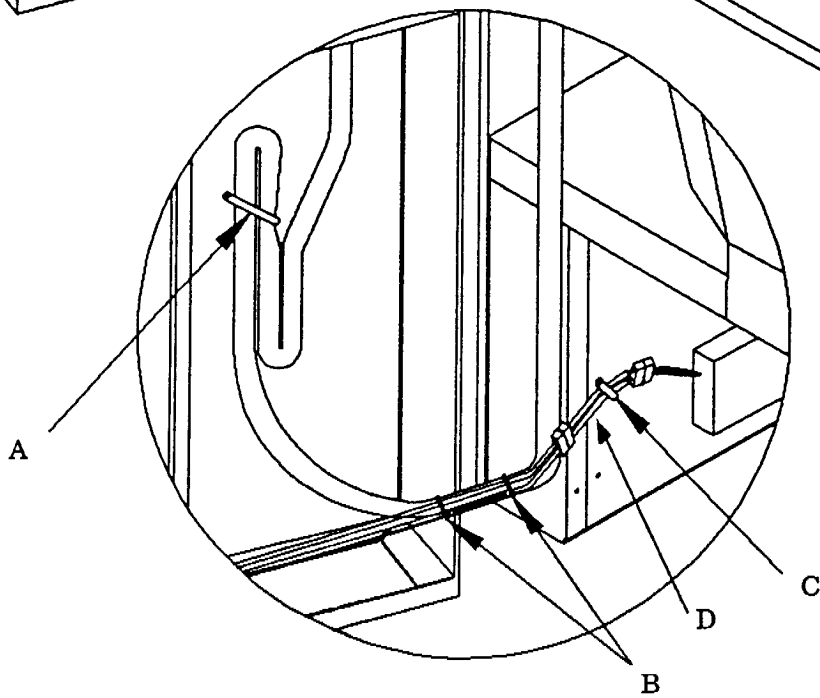
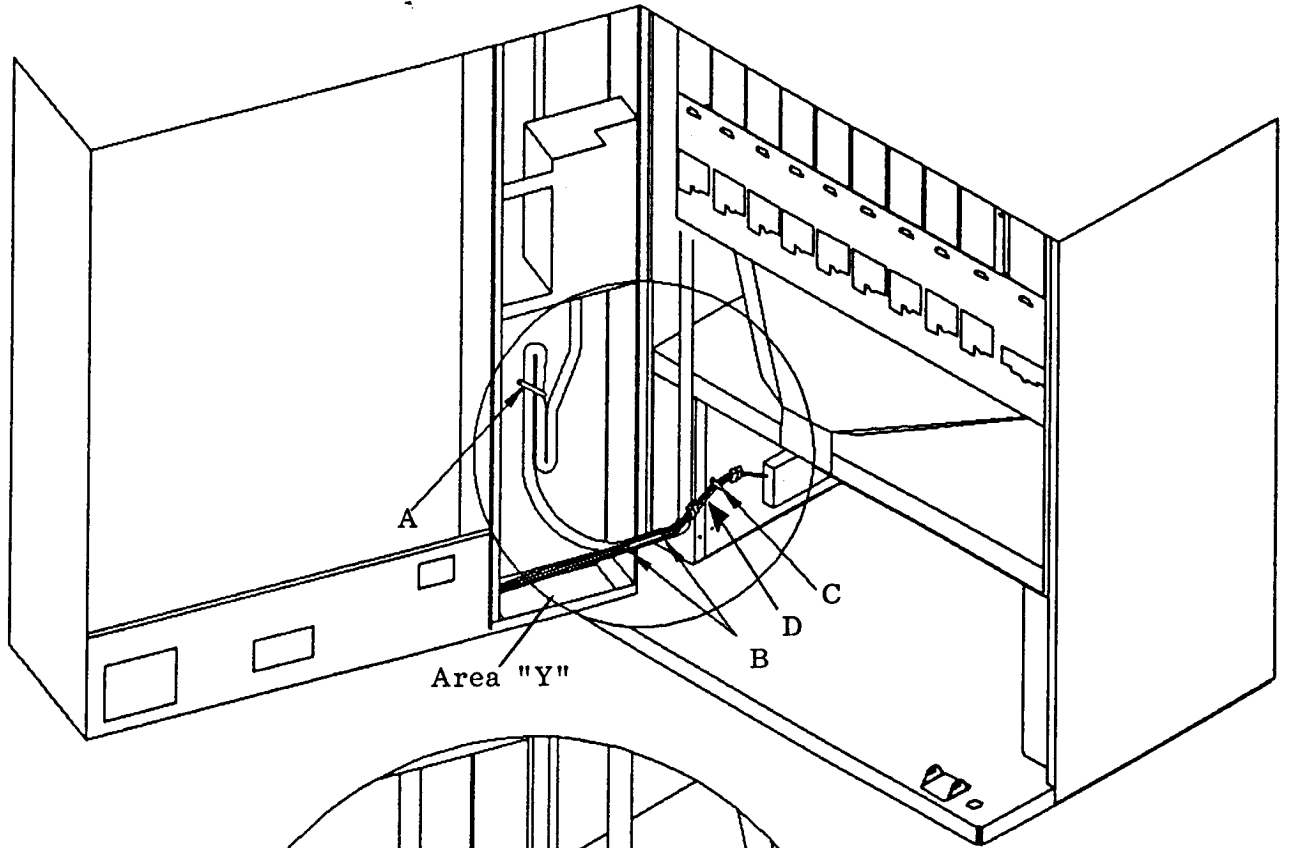


FIGURE 4

## ALL 36" WIDE VENDERS WITH BUCK/BOOST TRANSFORMER

### Installation Instructions:

1. UNPLUG THE VENDER.
2. Locate the Lighting Harness running from the main door to the ballast area. See Area "Z" Figure 5 on page 7.
3. Remove the cable ties that secure the lighting harness to the main harness. See "B" Figures 5 and 6 on page 7.
4. Remove the 1" cable clamp and screw that secures the harnesses to the main door. See "A" Figures 5 and 6 on page 7.
5. Unplug the light harness from the ballast.
6. Install the Light Harness Extension. See "D" Figures 5 and 6 on page 7.
7. Secure the Light Harness Extension to the Buck/Boost Mounting Plate, with a 9/16" Cable Clamp and a #8 - 18 X 1/2 Phil Pan Screw with Washer, near the bottom of the buck/boost transformer mounting plate. NOTE: You will need to drill a 9/64" hole to install the Phil Pan Screw. See "C" in Figures 5 and 6 on page 7.  
  
IMPORTANT: ENSURE THE 9/16" CABLE CLAMP IS SECURED AROUND THE TUBING PROTECTING THE LIGHT HARNESS EXTENSION WIRES.
8. Open the main door as far as it will go.
9. Secure the harness to the main door, with the 1" Cable Clamp and screw removed in step 4.
10. Secure the lighting harness to the main harness with two 7-1/2'" cable ties. See "B" Figures 5 and 6 on page 7.
11. Close and open the door to ensure there is enough harness that, when the main door is fully opened, the harnesses are not strained or pulled apart at the mate-n-lok plug and cap.
12. Plug in the Vender and test for proper operation.

ALL 36" WIDE VENDERS WITH BUCK/BOOST TRANSFORMER

FIGURE 5

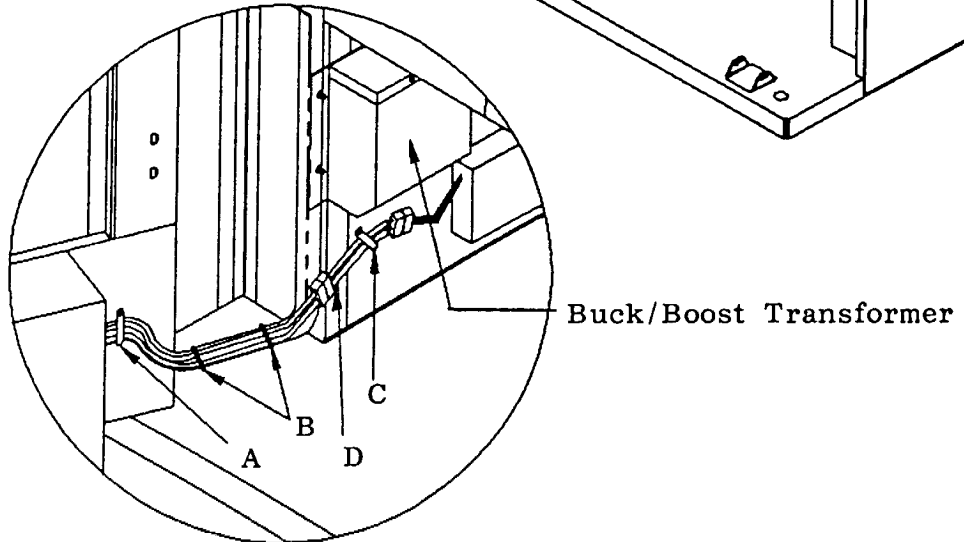
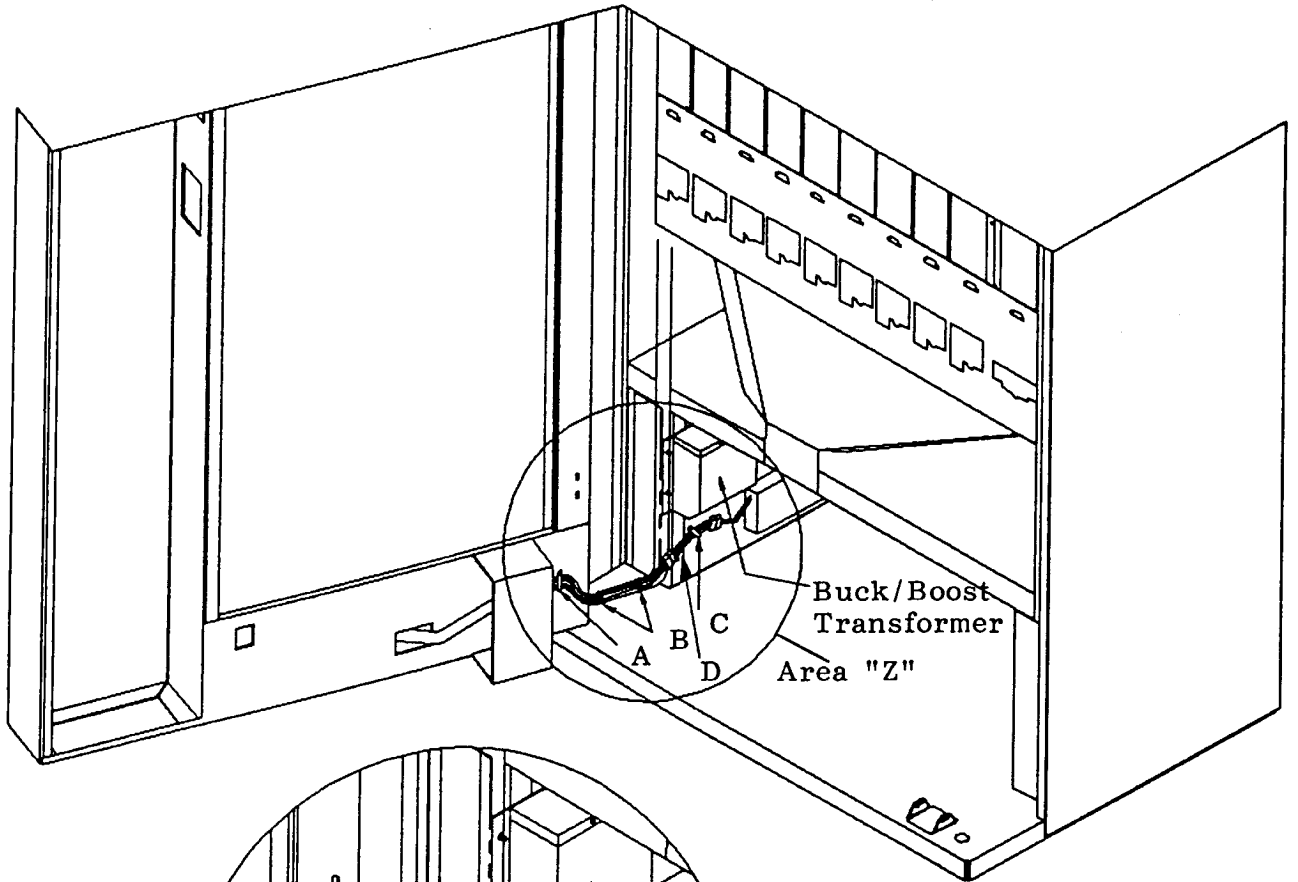


FIGURE 6